

Specifications

Current rating: 1A AC,DC
Voltage rating: 50V AC,DC
Temperature range: -25°C ~ +85°C
Contact resistance: 20mΩ Max.
Insulation resistance: 100MΩ Min.
Withstanding voltage: 500V AC/minute
Contact H.R for details

Standards



E179987

Ordering code

① ② ③ ④
A1013 -G P E

- ① Series No.
- ② Plating code: G=Gold-flash
- ③ Material: P=Phosphor bronze
- ④ E=Stamping before plating

① ② ③ ④ ⑤
A1013 H-2X 20P -1

- ① Series No.
- ② H=Housing
- ③ 2X=Dual row
- ④ No. of circuits
- ⑤ Option code:
 - 1=Type 1
 - 2=Type 2



A1013 SERIES

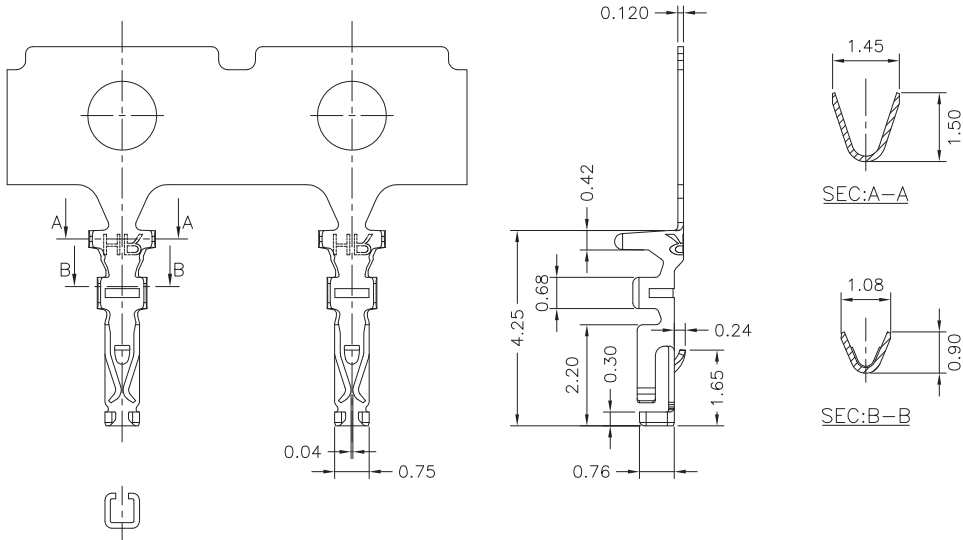
1.00mm pitch wire to board connector

A1013-T

1.00mm pitch Crimp Terminal

Reference Informations:

*Used in H.R A1013 series Housing



Ordering Information & Specifications:

Unit:mm

Part No.	Wire Range	Insulation O.D.	Material	Finish	Qty/reel
A1013-GPE	AWG#28-#32	0.80mm(max)	Phosphor Bronze	Gold-flash	15,000pcs

Note:E-Stamping before Gold-flash

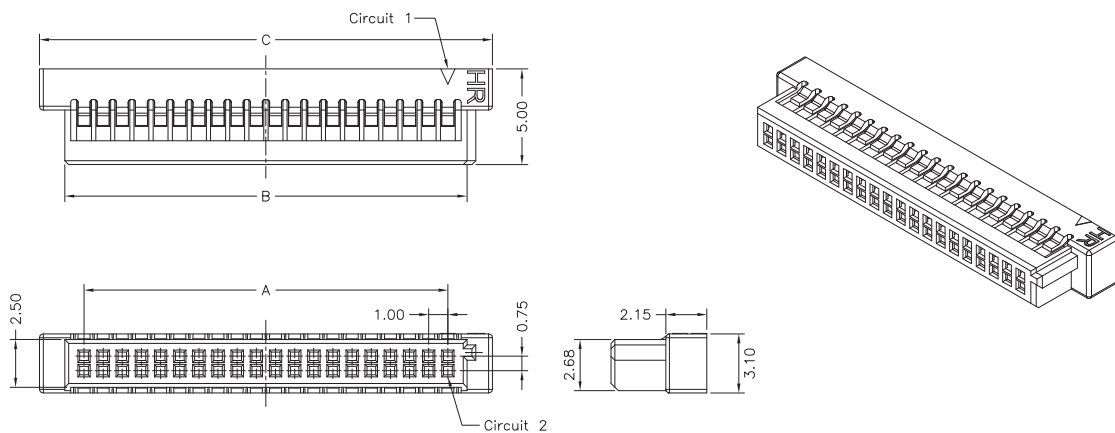
A1013H-2

1.00mm pitch Dual Row Housing

Reference Informations:

*Material: Nylon 46,UL94V-0

*Suitable H.R A1013 series Terminal



Ordering Information & Dimensions:

PART NO.	Dimensions		
	A	B	C
A1013H-2X15P	14.00	16.00	18.65
A1013H-2X20P	19.00	21.00	23.65

Unit:mm



A1013 SERIES

1.00mm pitch wire to board connector

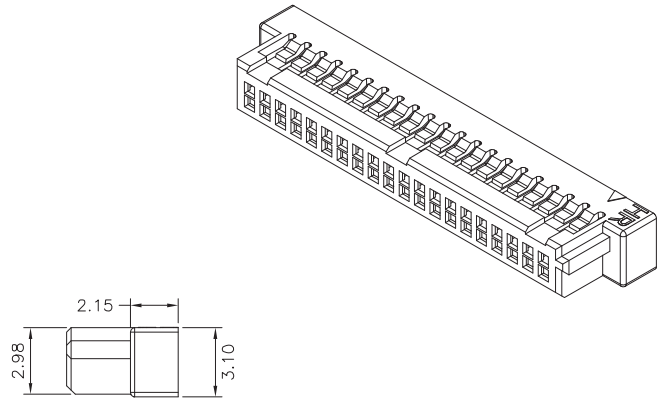
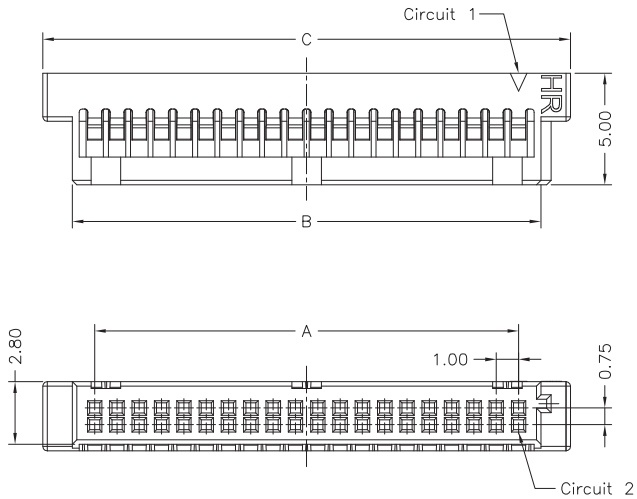
A1013H-2

1.00mm pitch Dual Row Housing

Reference Informations:

*Material: Nylon 46,UL94V-0

*Suitable H.R A1013 series Terminal



Ordering Information & Dimensions:

PART NO.	Dimensions		
	A	B	C
A1013H-2X20P-1	19.00	21.00	23.65

Unit:mm

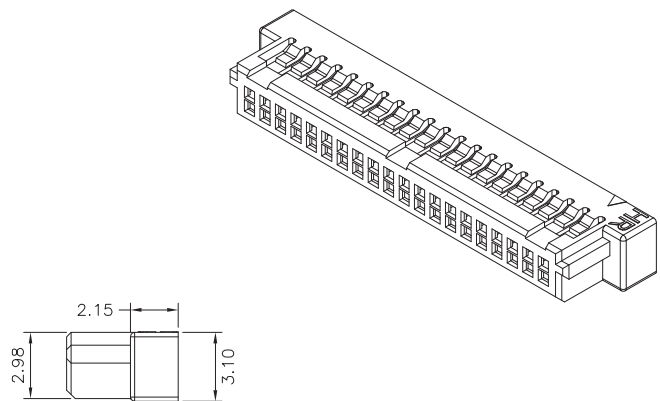
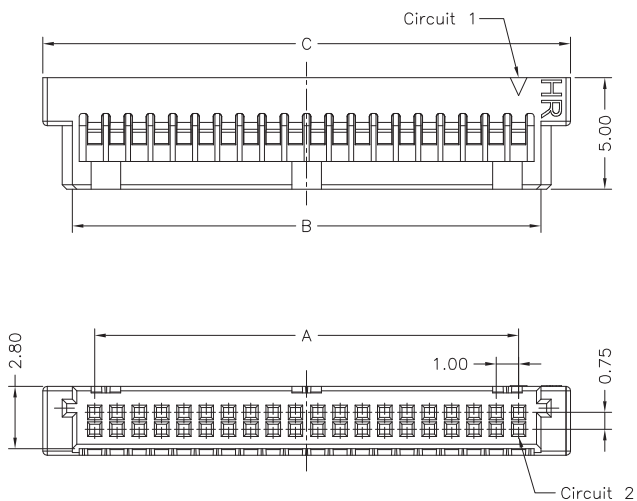
A1013H-2

1.00mm pitch Dual Row Housing

Reference Informations:

*Material: Nylon 46,UL94V-0

*Suitable H.R A1013 series Terminal



Ordering Information & Dimensions:

PART NO.	Dimensions		
	A	B	C
A1013H-2X20P-2	19.00	21.00	23.65

Unit:mm