

Specifications

Current rating: 1A AC,DC
Voltage rating: 50V AC,DC
Temperature range: -25°C ~ +85°C
Contact resistance: 20mΩ Max.
Insulation resistance: 100MΩ Min.
Withstanding voltage: 500V AC/minute
Contact H.R for details

Ordering code

① ② ③ ④
A1009-T P E

- ① Series No.
- ② Plating code: T=Tin-plated, G=Gold-flash
- ③ Material: P=Phosphor bronze
- ④ E=Stamping before plating

① ② ③ ④ ⑤
A1009 H A-2X 20P

- ① Series No.
- ② H=Housing
- ③ Blank=Without lock structure type
A=With lock structure type
- ④ Blank=Single row, 2X=Dual row
- ⑤ No. of circuits



A1009 SERIES

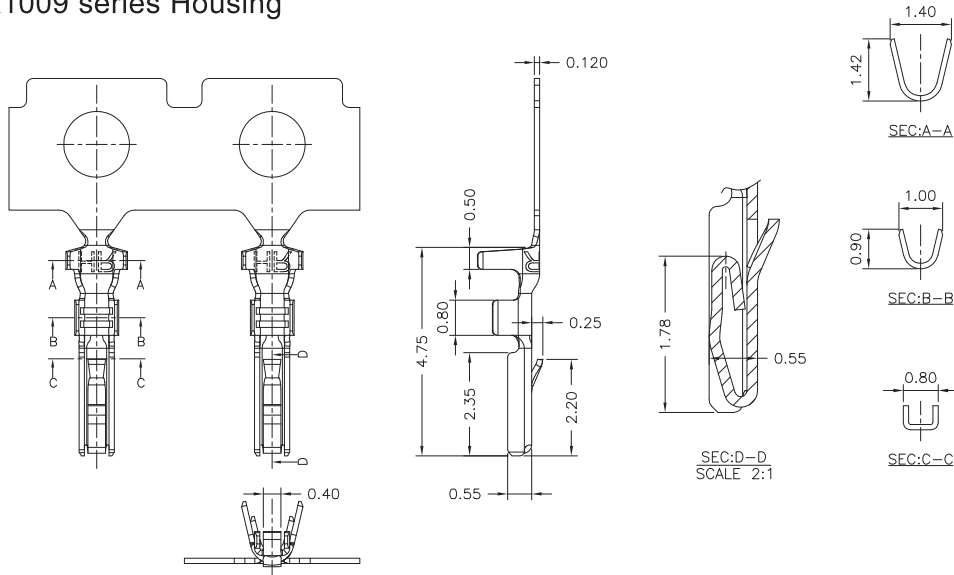
1.00mm pitch wire to board connector

A1009-T

1.00mm pitch Crimp Terminal

Reference Informations:

*Used in H.R A1009 series Housing



Ordering Information & Specifications:

Unit:mm

Part No.	Wire Range	Insulation O.D.	Material	Finish	Qty/reel
A1009-TPE	AWG#28-#32	0.80mm(max)	Phosphor Bronze	Tin-plated	15,000pcs
A1009-GPE	AWG#28-#32	0.80mm(max)	Phosphor Bronze	Gold-flash	15,000pcs

Note:E-Stamping before Tin-plated or Gold-flash

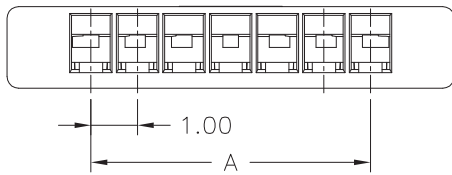
A1009H

1.00mm pitch Single Row Housing

Reference Informations:

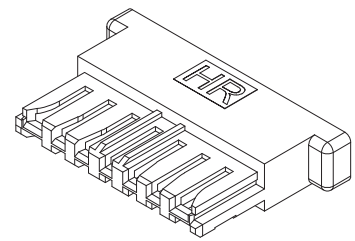
*Material: PBT,UL94V-0

*Suitable H.R A1009 series Terminal

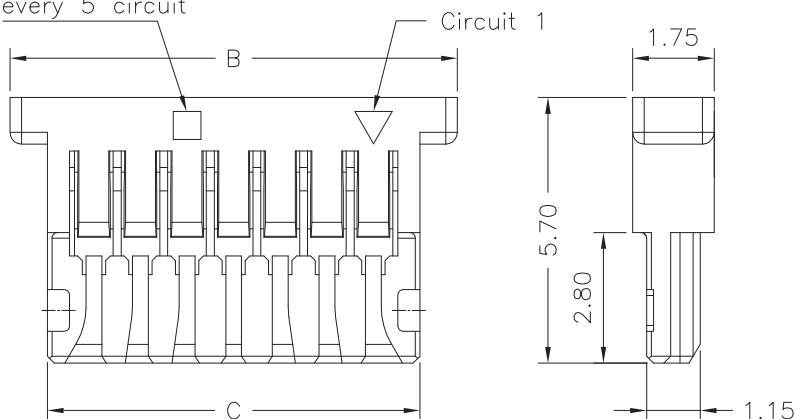


	A1009H-20P	N	0	W	NP	N	00	G
		①	②	③	④	⑤	⑥	⑦

① N=Halogen Free
 ② Material: 0=Nylon 66-V0
 ③ Color: W=White
 ④ Plating code: NP=Non-plating
 ⑤ Plating code: N=Non-plating
 ⑥ Option code: 00=Standard
 ⑦ Packing code: G=Bag



Marking by every 5 circuit



Ordering Information & Dimensions:

PART NO.	Dimensions		
	A	B	C
A1009H-02P	---	4.60	3.00
A1009H-06P	5.00	8.60	7.00
A1009H-07P	6.00	9.60	8.00
A1009H-14P	13.00	16.60	15.00
A1009H-16P	15.00	18.60	17.00
A1009H-20P	19.00	22.60	21.00
A1009H-22P	21.00	24.60	23.00
A1009H-26P	25.00	28.60	27.00
A1009H-30P	29.00	32.60	31.00

Unit:mm



A1009 SERIES

1.00mm pitch wire to board connector

A1009HA

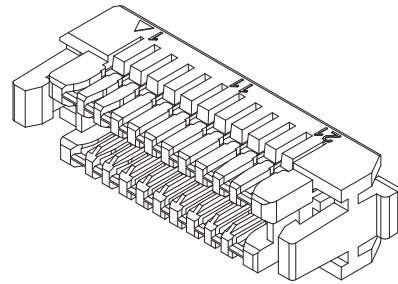
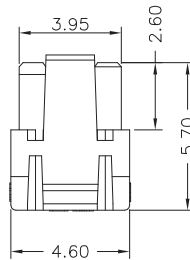
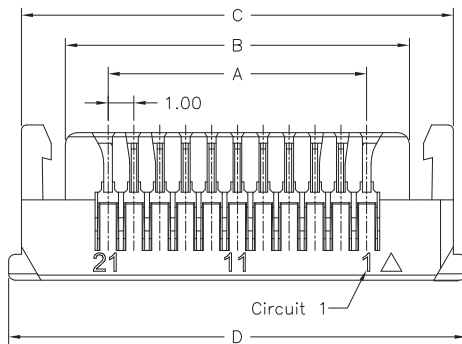
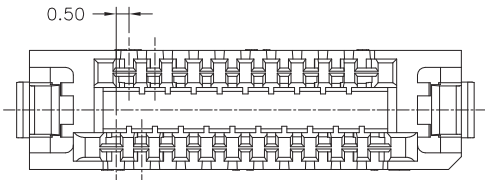
—1.00mm pitch Housing With Lock—

Reference Informations:

*Material: PBT,UL94V-0

*Suitable H.R A1009 series Terminal

	A1009HA-21P N 0 W NP N 00 G						
	①	②	③	④	⑤	⑥	⑦
①	N=Halogen Free						
②	Material: 0=Nylon 66-V0						
③	Color: W=White						
④	Plating code: NP=Non-plating						
⑤	Plating code: N=Non-plating						
⑥	Option code: 00=Standard						
⑦	Packing code: G=Bag						



Ordering Information & Dimensions:

PART NO.	Dimensions			
	A	B	C	D
A1009HA-21P	10.00	13.30	16.70	17.70
A1009HA-31P	15.00	18.30	21.70	22.70

Unit:mm

A1009HA-2

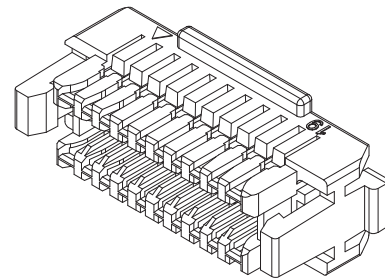
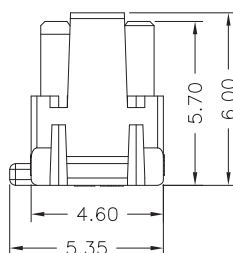
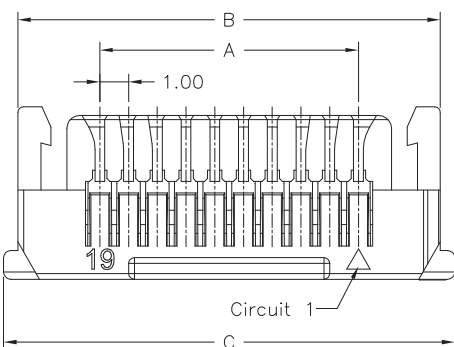
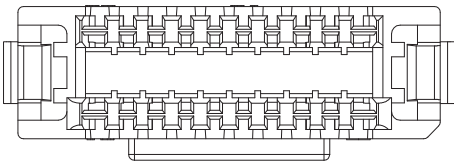
—1.00mm pitch Dual Row Housing With Lock—

Reference Informations:

*Material: PBT,UL94V-0

*Suitable H.R A1009 series Terminal

	A1009HA-2X20P N 0 W NP N 00 G						
	①	②	③	④	⑤	⑥	⑦
①	N=Halogen Free						
②	Material: 0=Nylon 66-V0						
③	Color: W=White						
④	Plating code: NP=Non-plating						
⑤	Plating code: N=Non-plating						
⑥	Option code: 00=Standard						
⑦	Packing code: G=Bag						



Ordering Information & Dimensions:

PART NO.	Dimensions		
	A	B	C
A1009HA-2X10P	9.00	14.70	15.70
A1009HA-2X15P	14.00	19.70	20.70
A1009HA-2X20P	19.00	24.70	25.70
A1009HA-2X25P	24.00	29.70	30.70

Unit:mm