

## Specifications

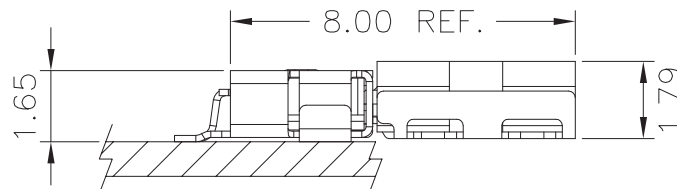
Current rating: 1A AC,DC  
Voltage rating: 200V AC,DC  
Temperature range: -25°C ~ +85°C  
Contact resistance: 40mΩ Max.  
Insulation resistance: 100MΩ Min.  
Withstanding voltage: 500V AC/minute  
\*Contact H.R for details\*

## Standards



E179987

## Assembly layout



## Ordering code

① ② ③ ④ ⑤  
A1006 -G P E -A

- ① Series No.
- ② Plating code: G=Gold-plated
- ③ Material: P=Phosphor bronze
- ④ E=Stamping before plating
- ⑤ Option code: -A=A Type

① ② ③  
A1006 H -30P

- ① Series No.
- ② H=Housing
- ③ No. of circuits

① ② ③ ④  
A1006 WR -S -30P

- ① Series No.
- ② Connector type: WR=Right angle
- ③ Mounting type: S=SMT
- ④ No. of circuits



# A1006 SERIES

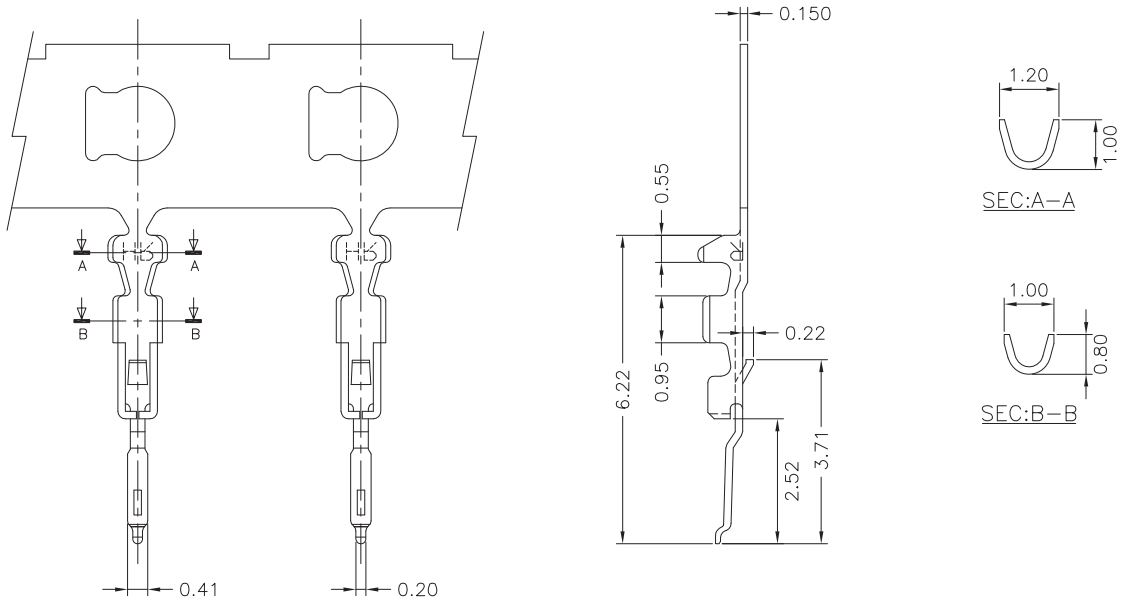
1.00mm pitch wire to board connector

## A 1006-T

1.00mm pitch Crimp Terminal

### Reference Informations:

\*Used in H.R A1006 series Housing



Ordering Information & Specifications:

Unit:mm

Part No.	Wire Range	Insulation O.D.	Material	Finish	Qty/reel
A1006-GPE-A	AWG#28-#36	0.50mm(max)	Phosphor Bronze	Gold-plated	20,000pcs

Note:E-Stamping before Gold-plated

## A 1006H

1.00mm pitch Housing

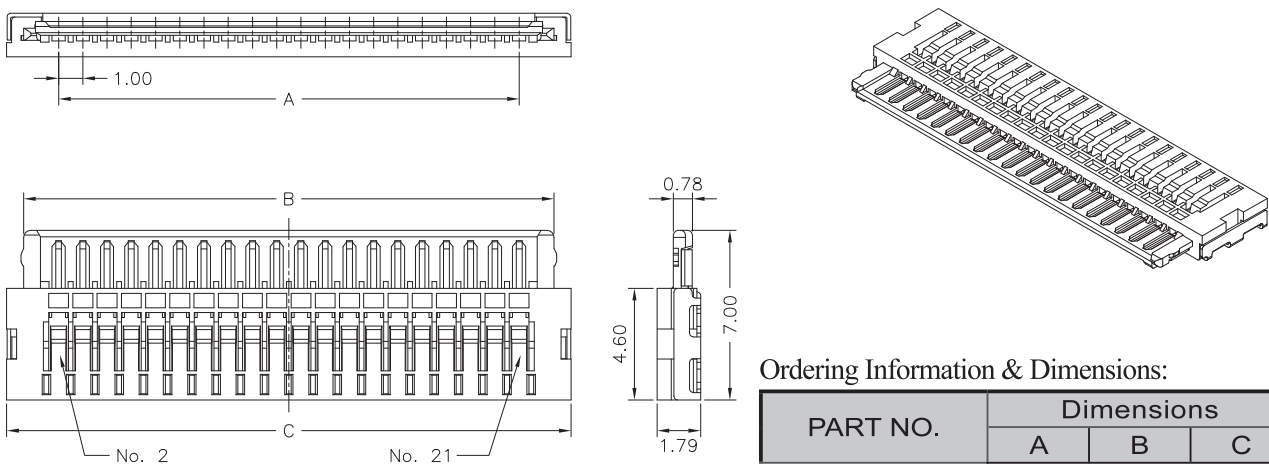
### Reference Informations:

\*Material: Housing: Nylon 46,UL94V-0

Shell: Phosphor Bronze/Nickel-plated

\*Suitable H.R A1006 series Terminal

\*Mates with H.R A1006 series Wafer



Ordering Information & Dimensions:

PART NO.	Dimensions		
	A	B	C
A1006H-20P	19.00	21.88	23.28
A1006H-30P	29.00	31.88	33.28

Unit:mm



# A1006 SERIES

1.00mm pitch wire to board connector

## A1006WR-S

1.00mm pitch 90° Wafer - SMT TYPE

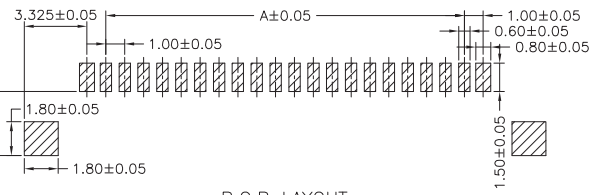
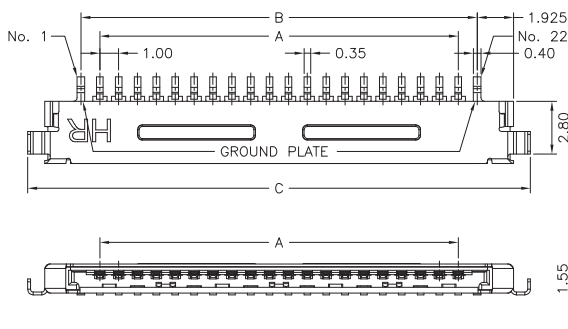
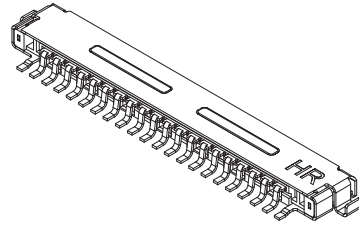
### Reference Informations:

\*Material: Pin: Phosphor Bronze/Gold-plated  
 Shell: Phosphor Bronze/Tin-plated  
 Wafer: LCP,UL94V-0

\*Mates with H.R A1006 series Housing

	A1006WR-S-30P	N	L	N	G2	T	00	R
		①	②	③	④	⑤	⑥	⑦

① N=Halogen Free  
 ② Material: L=LCP  
 ③ Color: N=Natural(Beige)  
 ④ Plating code: G2=Gold-plated 3u"  
 ⑤ Plating code: T=Tin-plated  
 ⑥ Option code: 00=Standard  
 ⑦ Packing code: R=Tape & Reel



P.C.B. LAYOUT

### Ordering Information & Dimensions:

PART NO.	Dimensions		
	A	B	C
A1006WR-S-20P	19.00	21.00	26.65
A1006WR-S-30P	29.00	31.00	36.65

Unit:mm